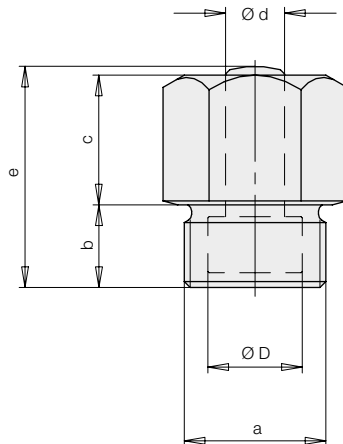
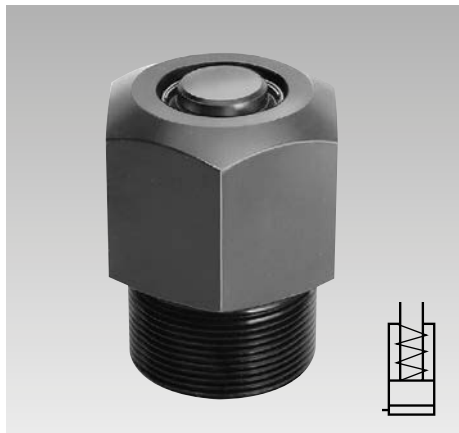




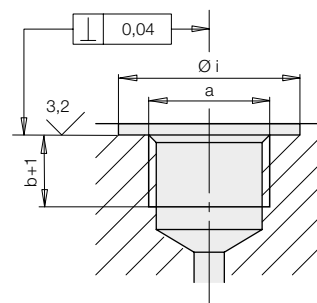
Threaded-Body Cylinder

single acting, spring return, with wiper, short version

max. operating pressure 500 bar



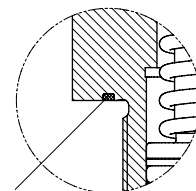
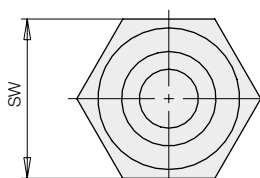
Porting details at fixture



Sealing is attained by a knife edge at cylinder collar, requiring the sealing surface to be square to hole axis and flat.

Description

These clamping cylinders may be threaded directly into tapped holes of the fixture. These compact devices can be used to great advantage in fixtures where space is at a premium. Hydraulic fluid is supplied through passages drilled into the fixture body, thus eliminating hydraulic hoses and threaded fittings. The built-in spring returns the piston when hydraulic pressure is released.



For piston Ø D = 32 mm the knife edge will be replaced by a Kantseal joint

Material

Piston material: casehardening steel, hardened
Cylinder body: free-cutting steel, black oxide

Important notes

Threaded-body cylinders must not be subjected to a load in retracted position.
Operating conditions, tolerances and other data see data sheet A 0.100.

Piston Ø D	[mm]	8	12	16	25	32
Rod Ø d	[mm]	5	8	10	16	20
Stroke ± 0.5	[mm]	4	4	6	12	16
Clamping force at 100 bar	[kN]	0.5	1.1	2.0	4.9	8
force at 500 bar	[kN]	2.5	5.6	10.0	24.5	40
Spring return force, min	[N]	25	32	56	151	183
Oil volume/10 mm stroke	[cm ³]	0.50	1.13	2.01	4.91	8.04
a	[mm]	M 16x1.5	M 20x1.5	M 24x1.5	M 36x1.5	M 42x1.5
b	[mm]	12	12	14	21	25
c	[mm]	14	14	21	33	40
e ± 0.5	[mm]	27	27	37	56	67
Ø i	[mm]	23	29	33	49	65
SW	[mm]	19	24	27	41	55
Max. seating torque	[Nm]	80	90	110	130	200
Weight	[kg]	0.065	0.10	0.17	0.40	0.90
Part no.		1428001	1430101	1431001	1433001	1434001

Application example

